

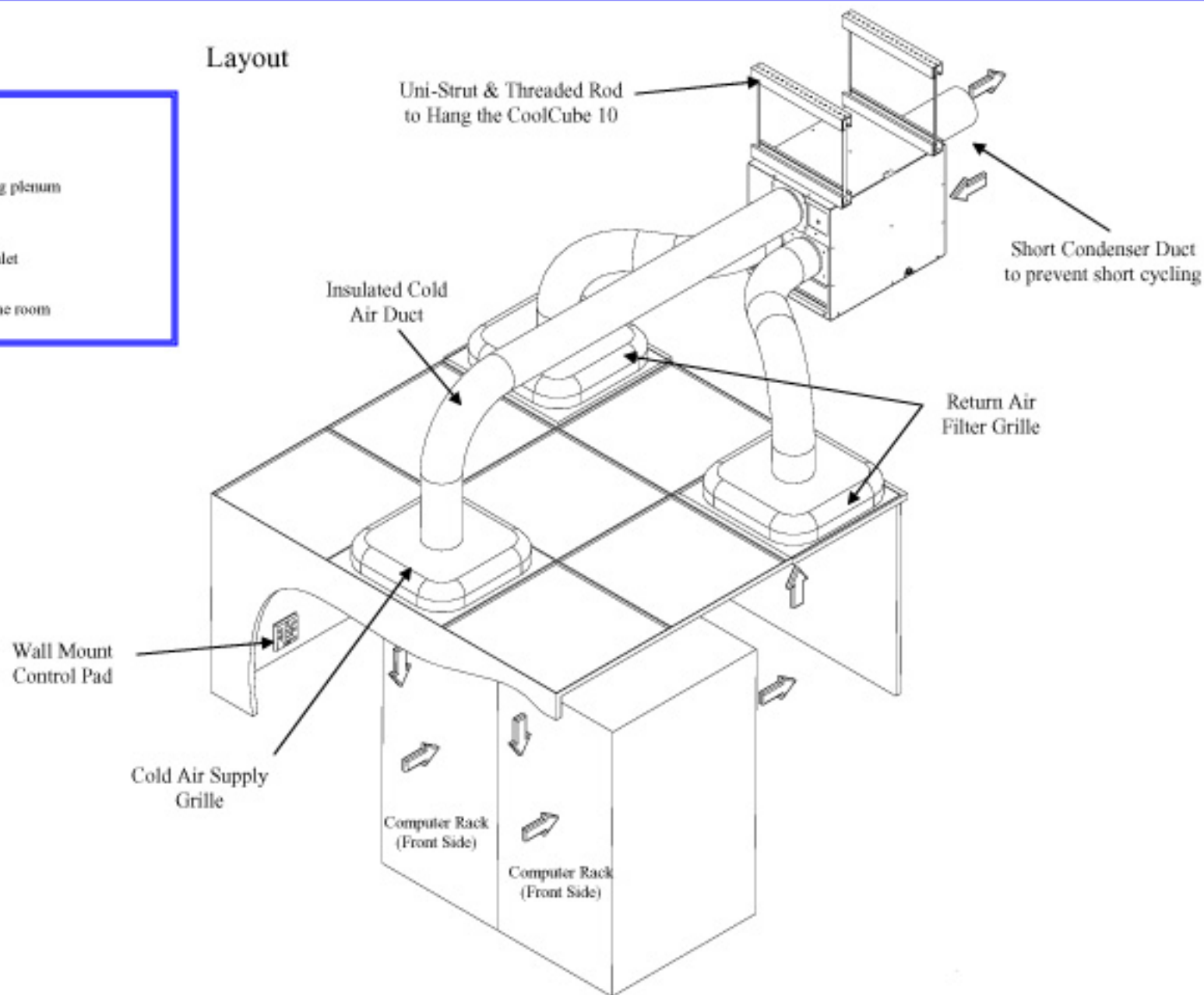
CoolCube 10 – Drop Ceiling Applications

- General Overview

General Overview

1. Hang CoolCube 10 above drop ceiling plenum
 - Uni-Strut & Threaded Rod
2. T-Bar Supply Diffuser / Grille
 - Duct cold air in front of equipment inlet
3. T-Bar Return Filter Grille
 - Return air should be warmest air in the room

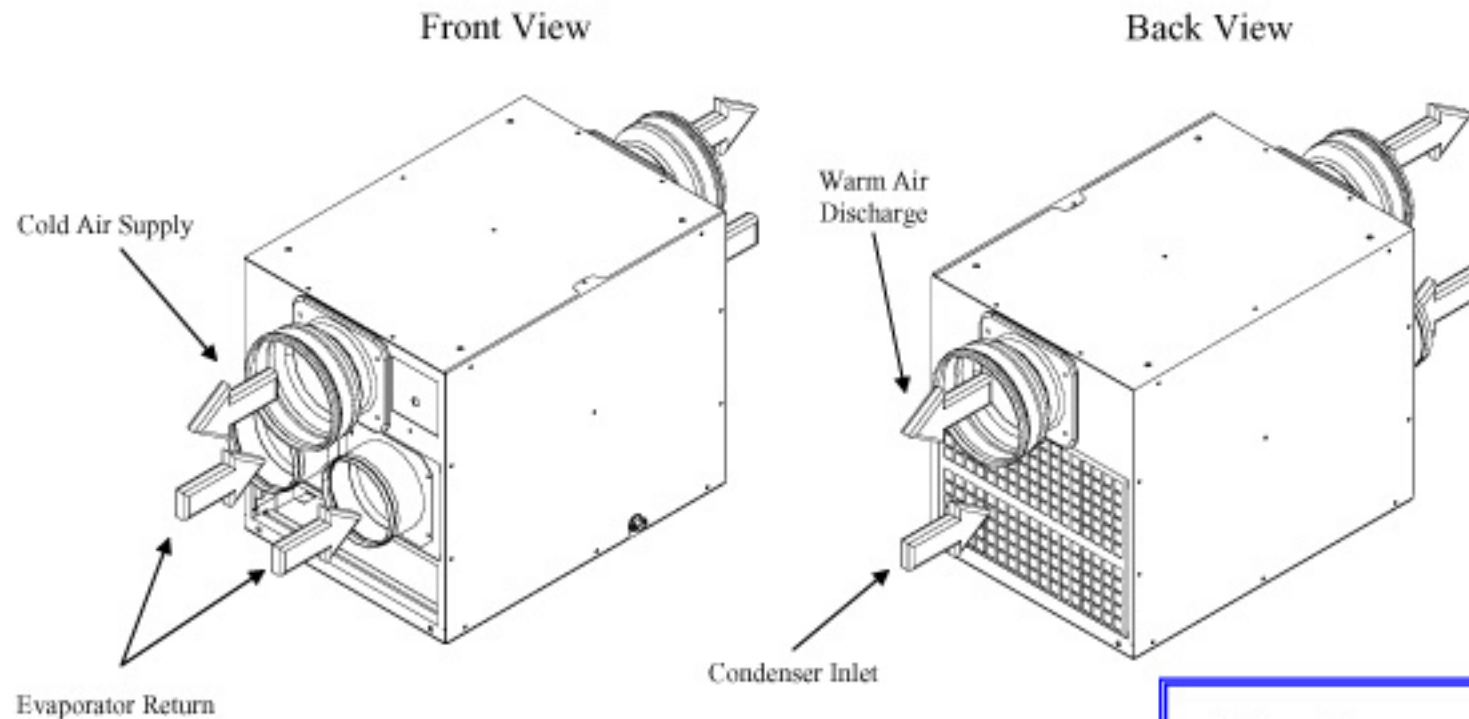
Layout



CoolCube 10 Airflow – Drop Ceiling Applications

- Airflow Schematic

Airflow Schematic



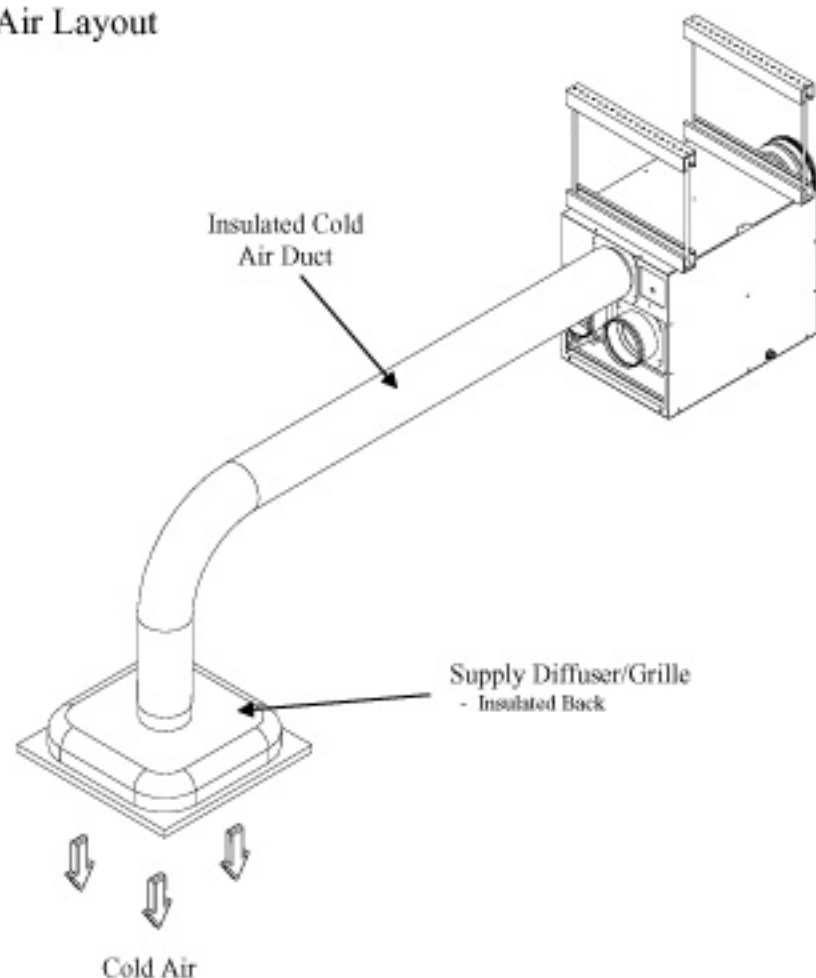
Airflow Features

1. Cold Air Supply
- 8-inch Flange
2. Evaporator Return
- (2) 6-inch Flanges
3. Warm Air Discharge
- 8-inch Flange
3. Condenser Inlet
- Inlet Grille

CoolCube 10 Supply Air Guidelines – Drop Ceiling Applications

- T-Bar Diffuser/Grille
- Ducting

Supply Air Layout



Cold Air Supply

1. Maximum Ducting Length – (1) 8-inch Diameter Duct
- 12 feet plus (1) 90° bend with insulated ducting
2. T-Bar Supply Diffuser / Grille
- Determine throw pattern (straight, 1-way, 2-way, etc.)
- Determine throw distance / air velocity
- Room needs to get good airflow mixture while maintaining proper sound level
3. Supply Diffuser / Grille Location
- Locate the supply diffuser / grille above the equipment inlet located in the room below
- In front of equipment rack

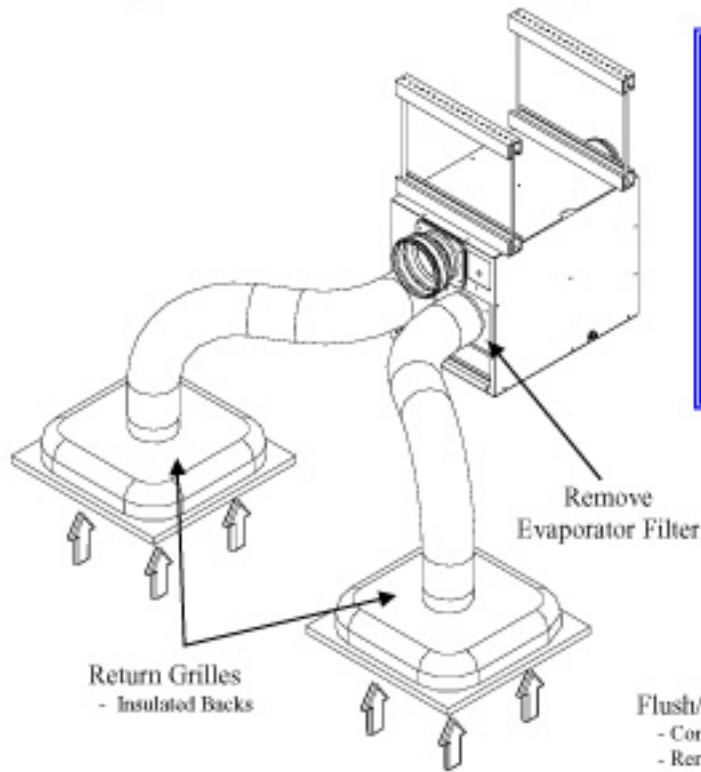
CoolCube 10 Return Air Guidelines – Drop Ceiling Applications

- T-Bar Return Filter Grille
- Ducting

(2) Options:

Option A:

(2) Return Grilles with 6-inch Flanges

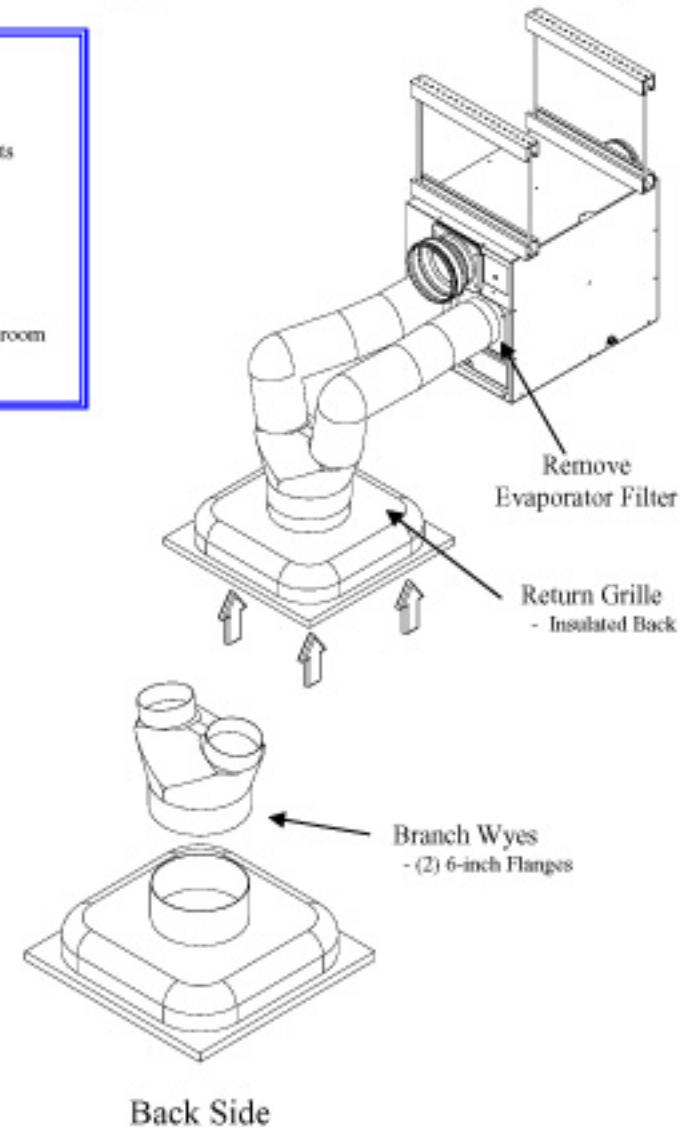


Return Air

1. Maximum Ducting Length – (2) 6-inch Diameter Ducts
- 8 feet plus (1) 90° bend per duct
2. T-Bar Return Filter Grille
- Remove evaporator filter from CoolCube
- Use standard 1-inch filter in return grille only
3. Return Filter Grille Location
- Locate the return grille above the warmest area in the room
- Equipment exhaust

Option B:

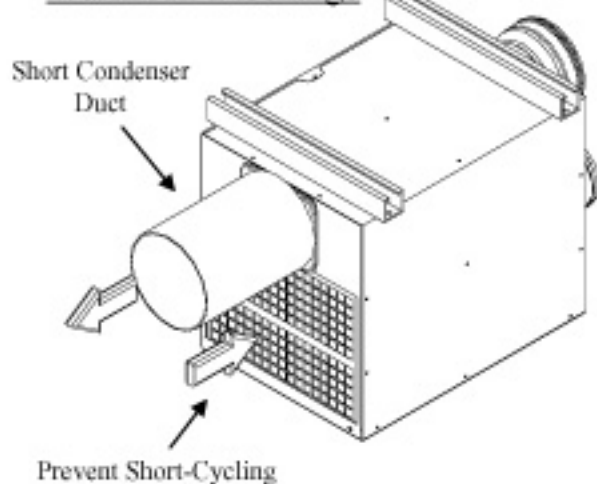
(1) Return Grille with 6-inch Branch Wyes



CoolCube 10 – Drop Ceiling Applications

- Hanging Characteristics

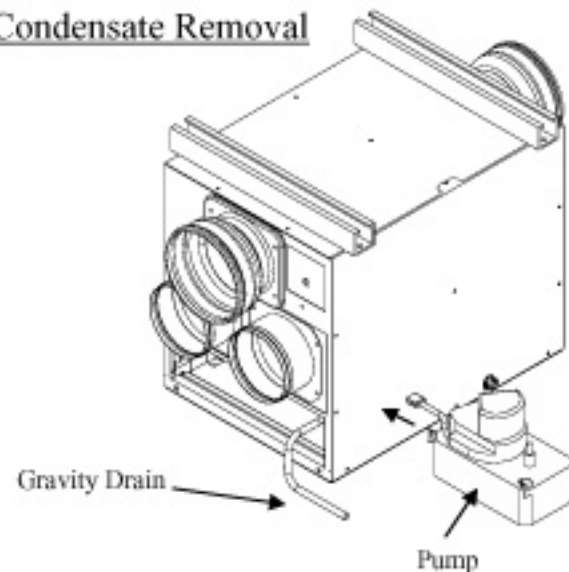
Warm Air Discharge



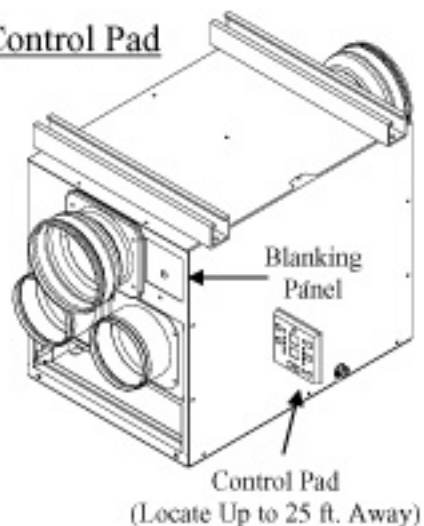
Hanging Characteristics

1. Warm Air Discharge
 - Use a short duct to direct the warm discharge air away from the condenser inlet to prevent short-cycling.
2. Condensate Removal
 - Remove standard tank
 - Use gravity or pump to drain condensate
3. Remote Control Pad
 - Locate the control pad up to 25 ft. away from the unit
 - In the room below the drop ceiling
4. Hard-Wire
 - Remove power cord
 - Use the power cord entry to directly hard-wire the CoolCube

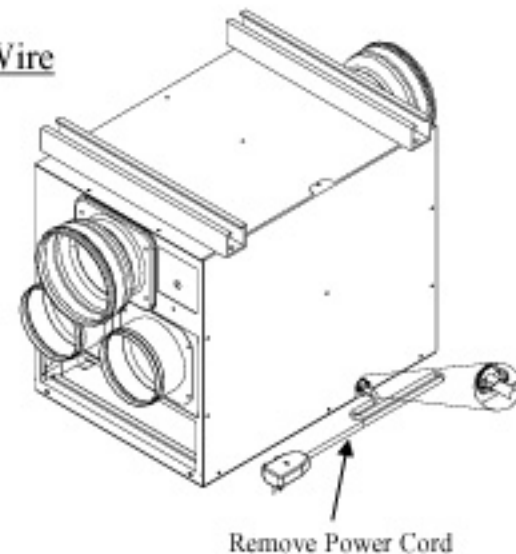
Condensate Removal



Remote Control Pad



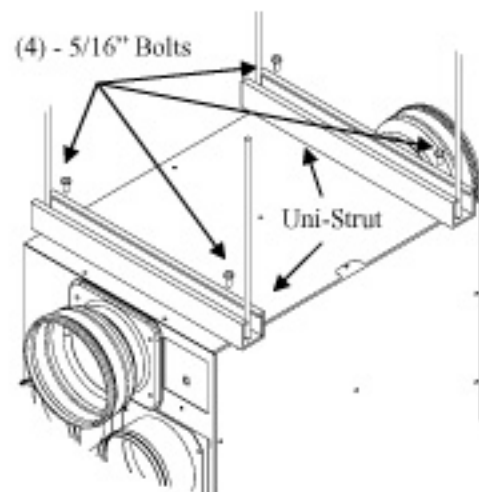
Hard-Wire



CoolCube 10 – Drop Ceiling Applications

- Mounting Options

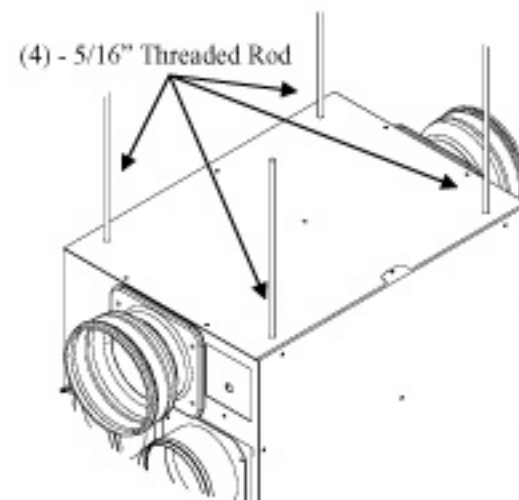
Top Mount – Uni-Strut



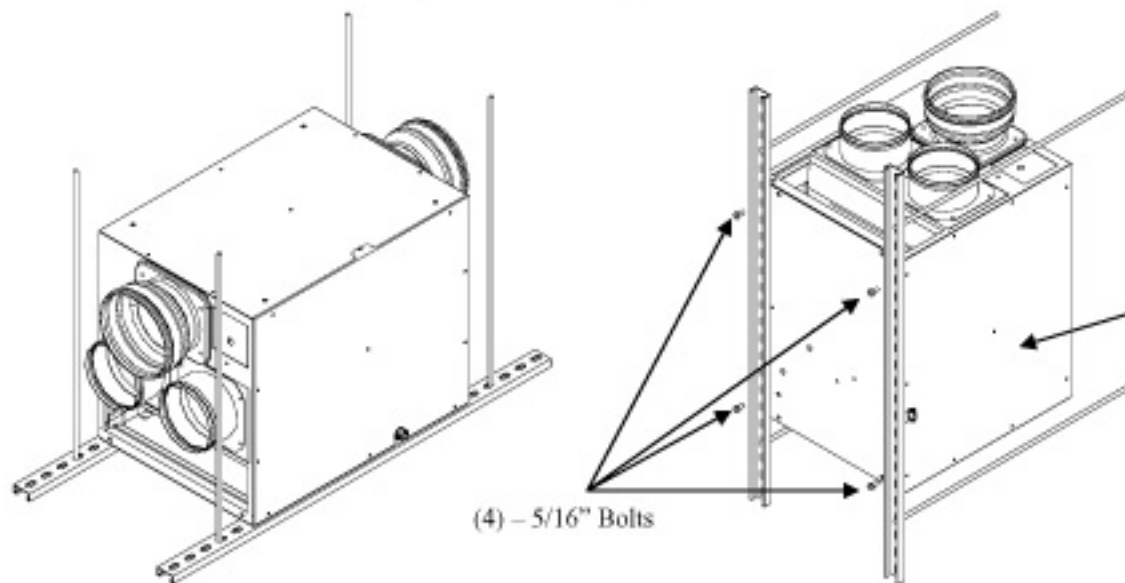
Mounting Options

1. Top Mount – Uni-Strut
- (2) Uni-Strut members across the top with (4) threaded rods
2. Top Mount – Threaded Rod
- (4) 5/16" threaded rods at the corners
3. Bottom Mount – Uni-Strut
- (2) Uni-Strut members across the bottom with (4) threaded rods

Top Mount – Threaded Rod



Bottom Mount – Uni-Strut



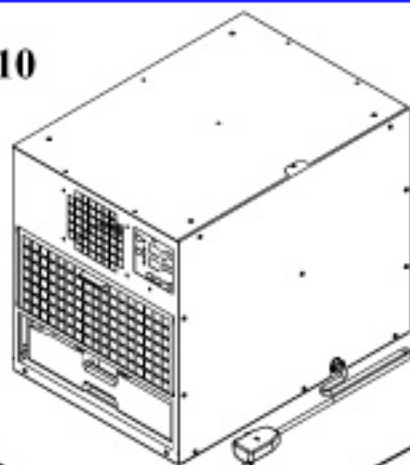
Note:

CoolCube 10 needs to be mounted upright. Unit is shown in this orientation for instructions on installation only!

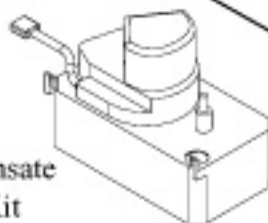
CoolCube 10 – Drop Ceiling Applications

- Component Overview

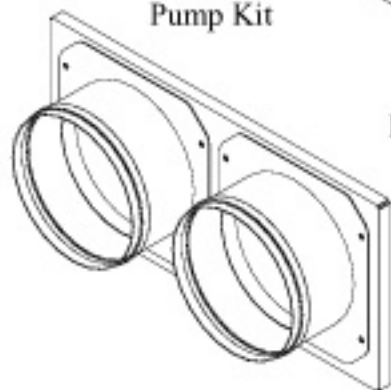
COOLCUBE 10



HANGING PACKAGE



(1) Condensate Pump Kit



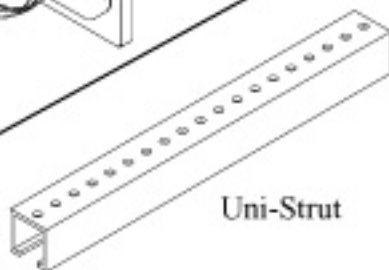
(1) Evaporator Plenum Kit

(2) Flange Kits

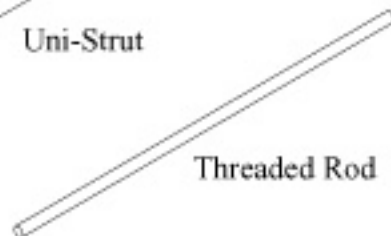


FIELD SUPPLIED COMPONENTS

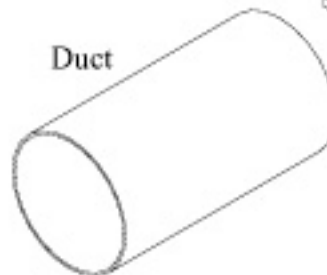
Hard-Wire
Miscellaneous
Electrical
Supplies



Uni-Strut

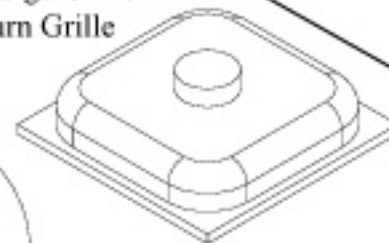


Threaded Rod



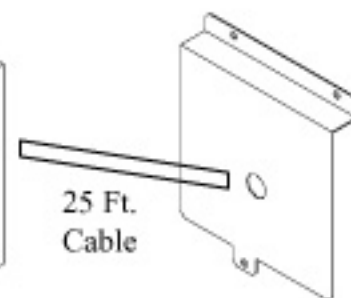
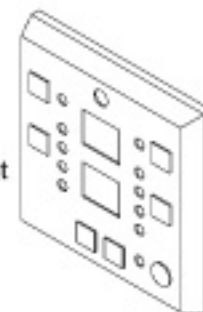
Duct

(1) Discharge Grille
(2) Return Grille



REMOTE MOUNT CONTROL KIT

(1) Wall Mount



25 Ft. Cable

(1) Panel